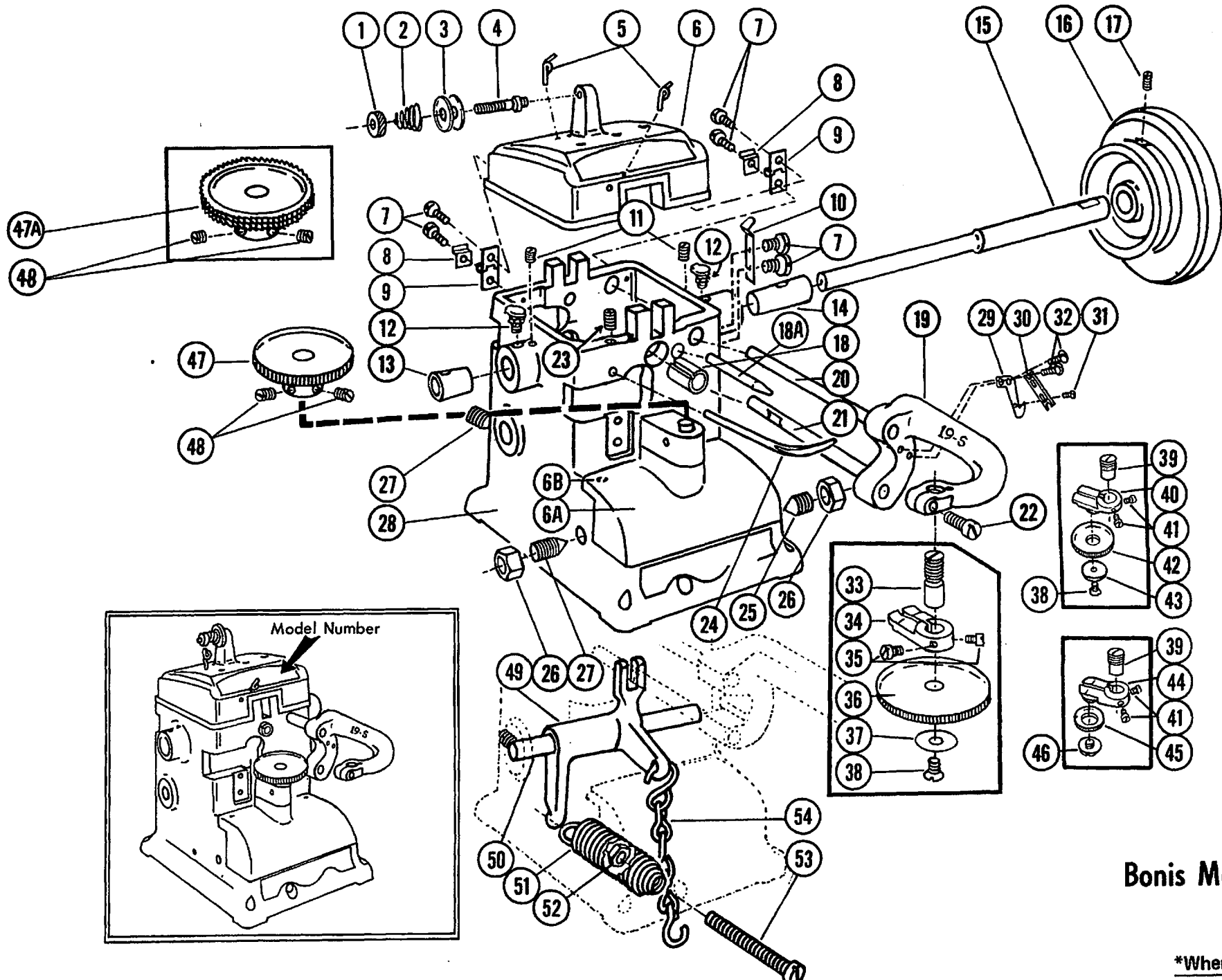


**PARTS ASSEMBLIES FOR
Bonis Models S-50, S-51, S-51-2, SS-51-2,
SK-51, S-21, BS-8**

BONIS BROS. SEWING MACHINERY CORP.

**131 West 29th Street, New York, N. Y. 10001 • Phone 212/563-6161
Cable Address: "BONIBRO"**



PARTS A:
Bonis Models S-50
SK-51

*When ordering for

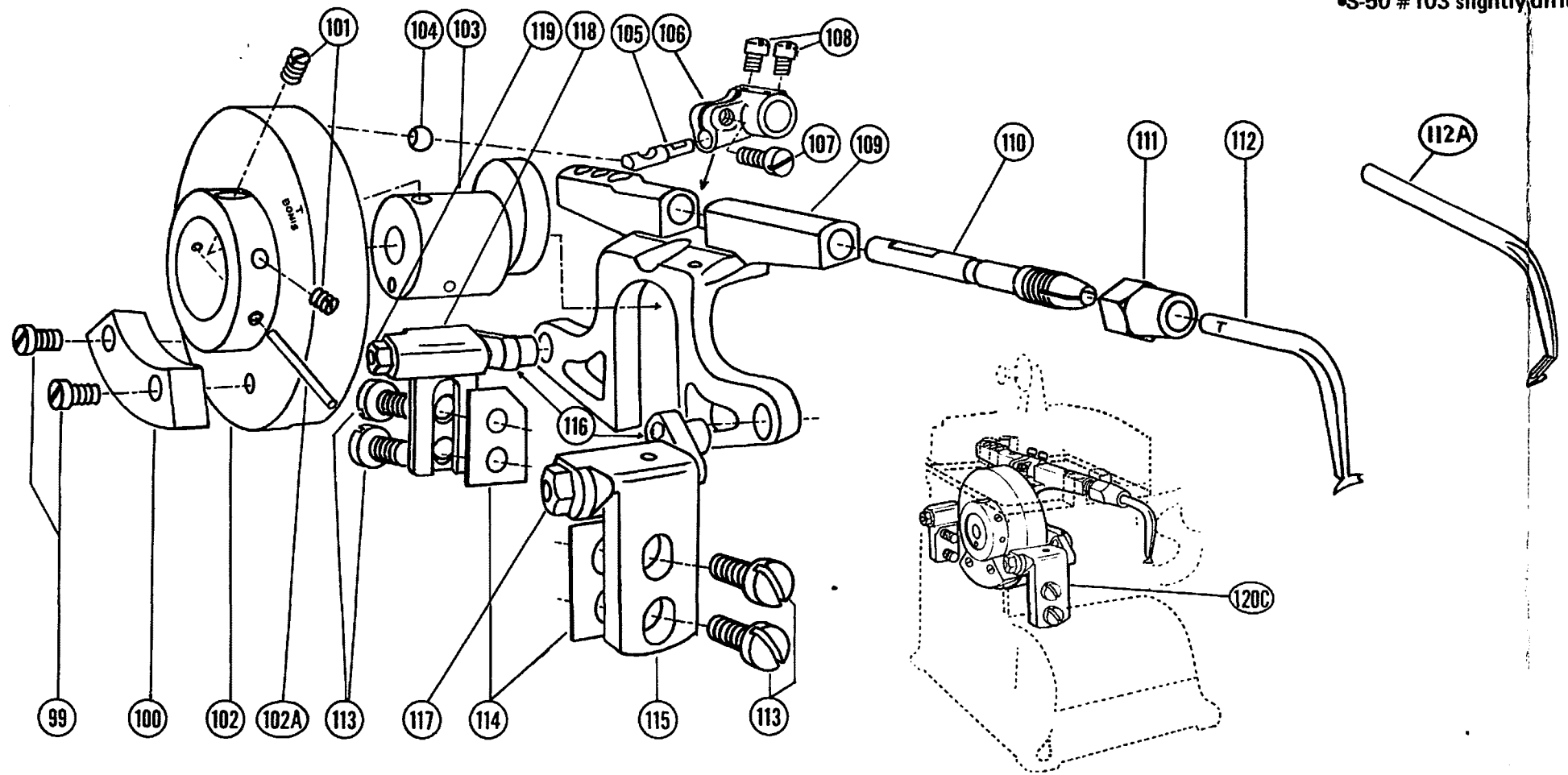
MAIN FRAME ASSEMBLY

Refer. No.	Part No.	Description	
1	226	Tension Nut	
2	133	Top Cover Tension Spring	
3(2)	129	Tension Disc	
4	213	Tension Post	
5(2)	128	Top Cover Thread Guide	
6	703	Top Cover	
6-A	704	Front Cover	
6-B(2)	221	Front Cover Screws	
7(6)	405	Top Cover Hinge Screws	
8(2)	612	Top Cover Hinge Stoppers	
9(2)	611	Top Cover Hinges	
10	610	Top Cover Lock Spring	
11(2)	248	Main Shaft Bushing Set Screws	
12(2)	409	Small Oil Cups	
13	30-B-T	Main Shaft Bushing, Short, Bronze	
14	29-B-T	Main Shaft Bushing, Long, Bronze	
15	105-51	Main Shaft	
16	24	Belt Wheel	
17	203	Belt Wheel Screw	
18	617	Needle Bar Bushing	
18-A	116	Needle Bar Tension Post	
19	19-S	Feed Disc Arm Complete With Pins	
	19-A	Feed Disc Arm Only	
20	108-A	Top Arm Pin	
21	108	Bottom Arm Pin	
22	219-S	Arm Pinch Screw	
23	230	Work Guide Set Screw	
24	127-T	Work Guide	
25	201-S	Feed Shaft Screw, Short	
26(2)	224	Feed Shaft Screw Nuts	
27(2)	201-L	Pressure Lever Shaft Screws, Long	
28	1-T	Main Frame	
29	51	Cut-off Knife Bracket	
30	52	Cut-off Knife Blade	
31	51-A	Cut-off Knife Bracket Screw, Small	
32(2)	405	Cut-off Knife Bracket Screws	
33	107-S	Front Feed Disc Stud	} FITTED COMPLETE #18-S-C
34	121-S	Needle Guard	
35(2)	639	Needle Guard Pinch Screws	
36	18-S	Front Feed Disc	
37	39-S	Disc Stud Washer	} FITTED COMPLETE #18-N-1 1/8"-C
38(2)	426	Disc Stud Washer Screws	
39(2)	107-N	Front Feed Disc Stud	
40	121-N-1-1/8"	Needle Guard	
41(4)	639-N	Needle Guard Screws	} FITTED COMPLETE #18-N-7/8"-C
42	18-N-1-1/8"	Front Feed Disc	
43	46-S	Disc Stud Washer	
44	121-N-7/8"	Needle Guard	
45	18-N-7/8"	Front Feed Disc	
46	46-S and 426	Disc Stud Washer & Screw	39, 41, 44, 45, 46
47	18-R	Rear Feed Disc, 27 teeth per inch	FITTED COMPLETE #18-N-7/8"-C
47-A	18-R	Saw Tooth Rear Feed Disc	
48(2)	202	Rear Feed Disc Set Screws	
49	21	Pressure Lever	
50	158	Pressure Lever Shaft	
51	157	Pressure Lever Spring	
52	250	Pressure Lever Adjusting Screw Nut	
53	259	Pressure Lever Adjusting Screw	
54		Chain	

*“C” after Part Number Denotes “COMPLETE”

CAUTION: When ordering parts, kindly state serial number and model of machine.
 Lift top cover. . . serial number is stamped on left rear corner of main
 frame. Model number is stamped on metal label attached on top cover.

Model S-21 or BS-8
 †SS-51-2 equipped with s
 reference #47-A.
 Looper for SS-51-2 and S
 •S-50 #103 slightly differ



LOOPER FRAME ASSEMBLY

ILLUSTRATED IN SHADOW MACHINE:
 Looper Assembly installed in Main Frame.

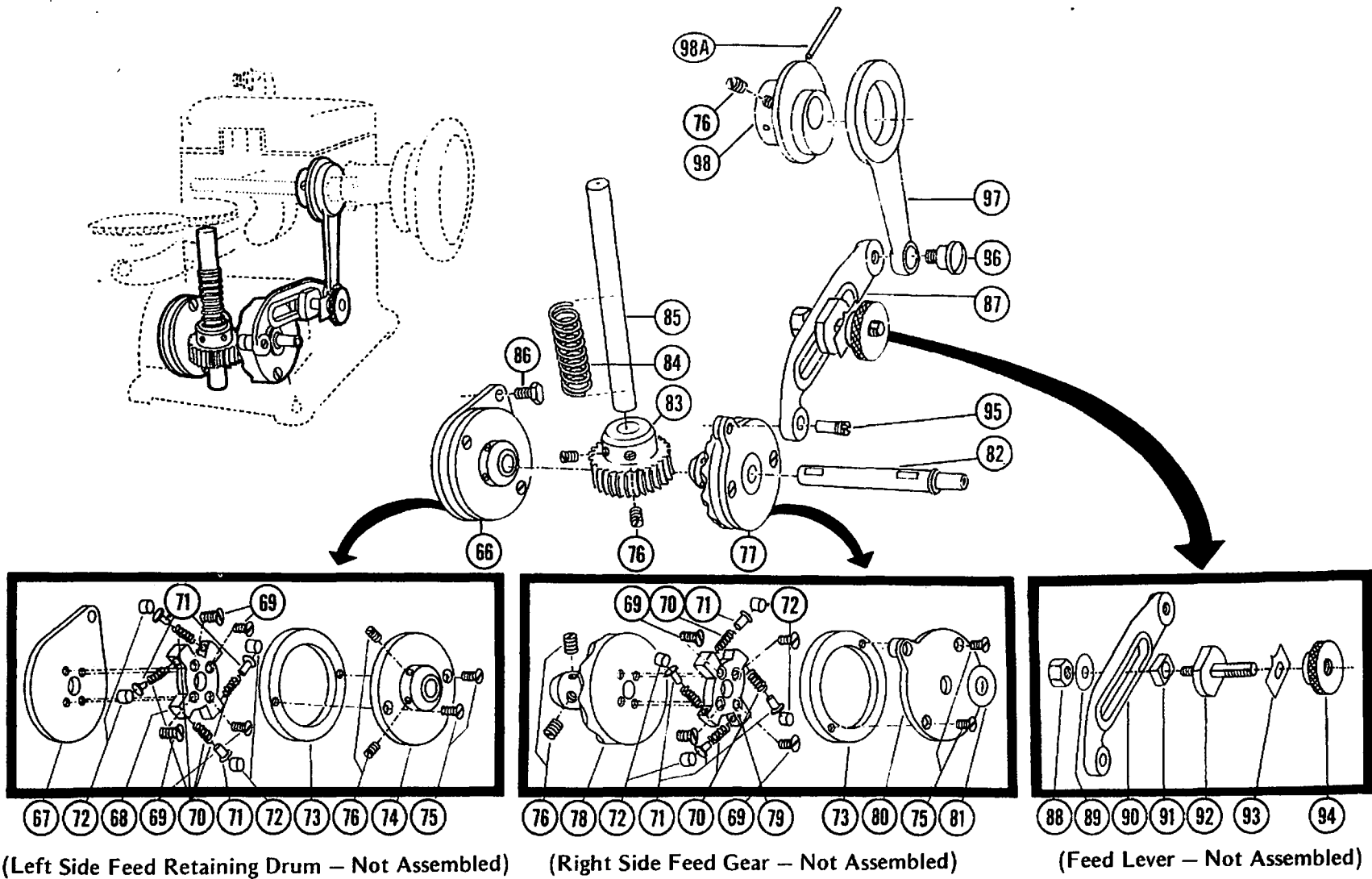
BONIS BROS. SEWING MA
 131 West 29th Street, New York, N.Y. 11
 Cable Address: "BON

LOOPER FRAME ASSEMBLY

Refer. No.	Part No.	Description	
99 (2)	214	Balance Weight Screws	
100	27	Balance Weight	
101 (2)	202	Eccentric Set Screws	
102	149-T	Oscillating Cam	
102-A	234	Looper Eccentric Pin	
103	411-51	Looper Frame Hardened Steel Eccentric	
104	126	Looper Oscillating Roller	} <i>FITTED-C</i> } <i>SOLD AS COMPLETE UNIT #609-C</i>
105	207	Looper Cam Roller Stud	
106	609	Looper Oscillating Arm	
107	208	Looper Oscillating Roller Stud Set Screw	
108 (2)	639	Looper Oscillating Arm Pinch Screws	
109	144-T	Looper Frame	
110	624	Looper Shaft	
111	125	Hexagon Looper Chuck Shell	
112	114-T	Looper	
112-A	114-B-2	2 Thread Looper	
113 (4)	206	Looper Frame Rocker Bracket Screws	
114 (2)	143	Rocker Packing (Specify thickness-.004, .006, .010, .020)	
115	410-51/422-51/205/225	Complete Front Rocker With Stud - Illustrated	
116 (2)	205	Looper Frame Rocker Stud	
117	225	Looper Frame Front Rocker Nut	
118	122-T-51/10-T-51/205/225	Back Rocker Fitted Complete With Stud	
119	225	Looper Frame Back Rocker Nut	
120-C	144-T	Complete Unit Fitted With Cam	

**C" after Part Number Denotes "COMPLETE"

112-A 114-B-2 2 Thread Looper



APPLIES FOR
1, S-51-2, SS-51-2†
*** BS-8***

ILLUSTRATED IN SHADOW MACHINE—GEAR AND FEED
 ASSEMBLY INSTALLED IN MAIN FRAME—COMPLETE

BS-8:

From the library of: Superior Sewing Machine & Supply LLC

GEAR & FEED FRAME ASSEMBLY

Refer No.	Part No.	Description	
66	416-C	Left Side Feed Retaining Drum Complete	
67	630	Feed Retaining Drum Plate	
68	629	Feed Retaining Drum Cam	
69 (4)	427	Feed Gear Cam Set Screws	
70 (4)	424	Feed Gear Roller Spring	
71 (4)	423	Feed Gear Roller Pin	
72 (4)	421	Feed Gear Roller	
73	419	Feed Gear Ring – Left and Right Side of Gear,	
74	628	Feed Retaining Drum	
75 (2)	426	Feed Gear Plate Screws	
76 (2)	202	Set Screws	
		Right Side Feed Gear uses same numbers on screws, roller springs, pins and cams	
77	416-C	Right Side Feed Gear Complete	
78	416	Feed Gear Only	
79	420	Feed Gear Cam	
80	425	Feed Gear Plate	
81	418	Feed Gear Shaft Washer	
82	417	Feed Gear Shaft	
83	17	Feed Gear (Small)	
84	132	Feed Disc Shaft Spring	
85	106	Disc Shaft	
86	433	Feed Retaining Drum Plate Shoulder Screw	
87	15-C	Feed Lever Fitted Complete	
88	228	Stitch Stud Nut	
89	123	Feed Lever Washer	
90	15	Feed Lever Only	
91	111	Stitch Regulating Block	
92	109	Stitch Regulating Stud	
93	112	Stitch Indicator	
94	110	Stich Regulating Stud Nut	
95	211	Feed Dog Driving Screw	
96	209	Feed Lever Screw	
97	14	Feed Connection	} SOLD AS COMPLETE UNIT FITTED-C
98	13-B	Feed Eccentric } #13 & 14-B-C	
76	202	Set Screws	
98-A	235	Feed Eccentric Pin	

****“C” after Part Number Denotes “COMPLETE”**

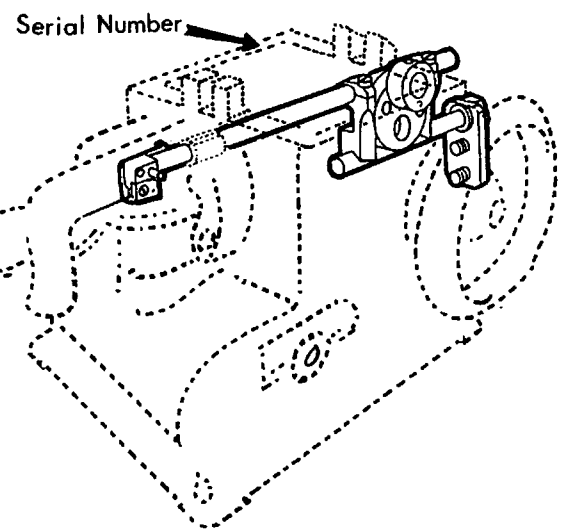
Special Gauges for Special Work are Available

... size, structure, capacity

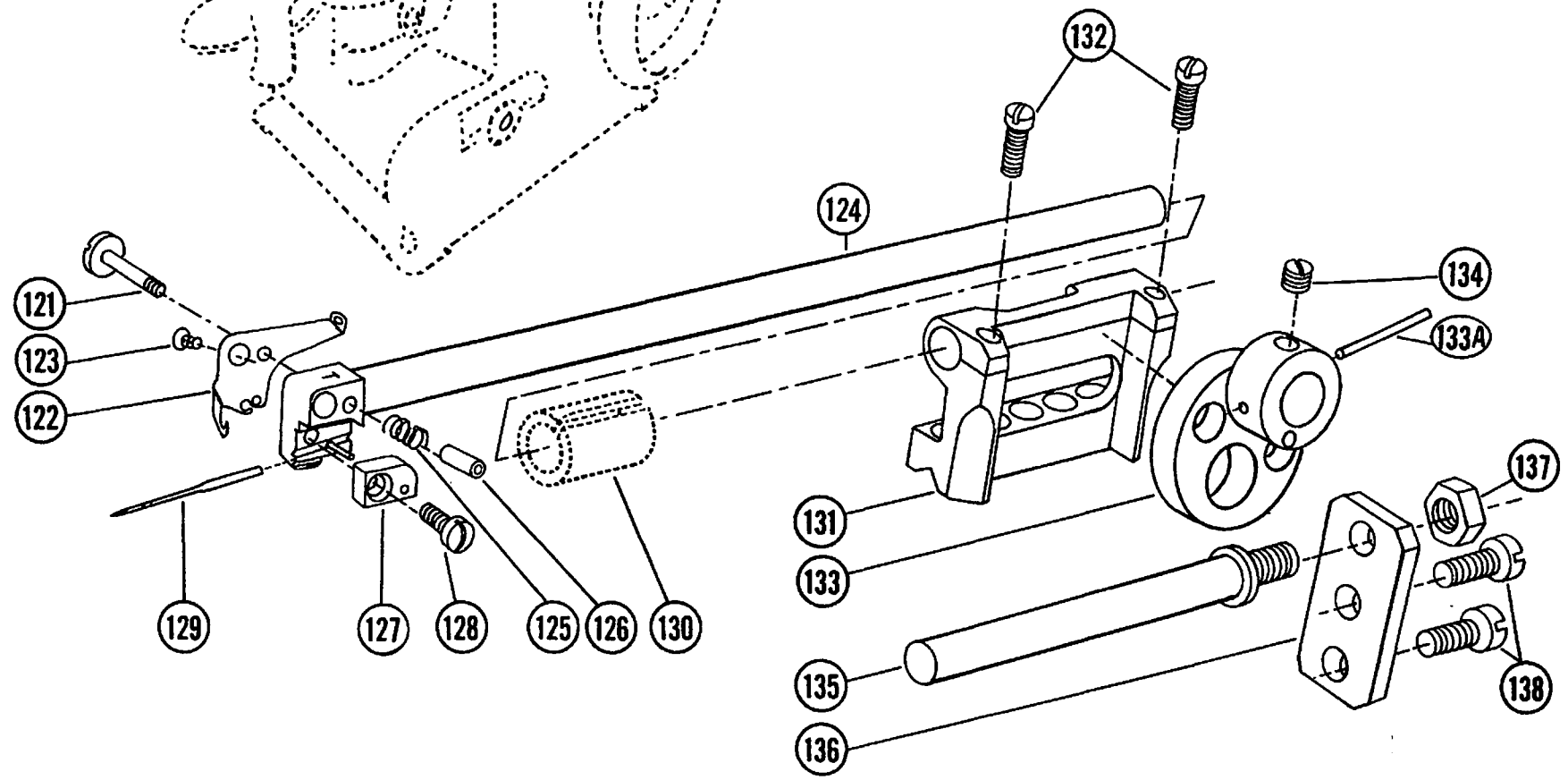
CAUTION: When ordering parts, kindly state serial number and Model of Machine.
Lift top cover. . . serial number is stamped on left rear corner of main
frame. Model number is stamped on metal label attached on top cover.

aw tooth rear feed disc,

51-2 illustrated #112-A.
ant. Specify Model number.



NEEDLE BAR ASSEMBLY
Shown INSTALLED IN MAIN FRAME



MACHINERY CORP.
1001 • Phone 212/563-6161
"IBRO"

From the library of: Superior Sewing Machine & Supply LLC

NEEDLE BAR ASSEMBLY

Refer. No.	Part No.	Description
121	215	Needle Bar Tension Plunger
122	115-T	Needle Bar Tension Plate
123	217	Needle Bar Tension Plate Screw
124	113-½-T	Needle Bar
125	134	Needle Bar Tension Spring
126	216	Needle Bar Tension Plunger Nut
127	119	Needle Clamp
128	227	Needle Clamp Screw
129		Needle Bonis System H and F
130	617	Needle Bar Bushing
131	466-51	Needle Bar Yoke
132 (2)	218	Needle Bar Yoke Pinch Screws
133	7-B-51	Needle Bar Yoke Eccentric
133-A	234	Yoke Eccentric Set Pin
134	202	Yoke Eccentric Set Screw
135	467	Needle Bar Yoke Support Shaft
136	469	Needle Bar Yoke Adjustable Bracket
137	468	Needle Bar Yoke Support Shaft Lock Nut
138 (2)	210	Needle Bar Yoke Adjustable Bracket Screws
		131 through 134 Sold as complete unit

} **SOLD AS COMPLETE
UNIT #466-51-C**

****C** after Part Number Denotes "COMPLETE"**

DEALERS:

REFERENCE NUMBERS ON EACH PLATE ARE NOT NECESSARILY THE SAME, HOWEVER, THE PART NUMBER, IF A DUPLICATE IS THE SAME.

Printed in U. S. A.